

Power relay series pursuing reliability and safety



EL1U (tab terminal type)



EL1U-B (screw terminal type)



EL1U (PCB terminal type)



EL2U (tab terminal type)



EL2U-B (screw terminal type)



EL2U (PCB terminal type)

■ Currently it is used for such purposes

- Packaged air conditioners, Large air conditioners such as commercial air conditioners, Refrigerated display cabinets
- Electric water heaters, Hot water supply equipment such as Eco Cute, Photovoltaic power generation control device
- Power supply for commercial equipment, Power supply for electric tools, Measuring instruments, Medical devices, Disaster prevention equipment
- Machine tools, Molding equipment, Welding machines, Packing machines, Food processing machines, Machinery for agriculture
- Uninterruptible Power Systems (UPS), Copiers power supply, Vending machines, Lighting control panel
- Various large household appliances, Large refrigerator, Large microwave ovens, Bathroom drier

DEC is a professional manufacturer of relays

DEC Daiichi Electric Co., Ltd.

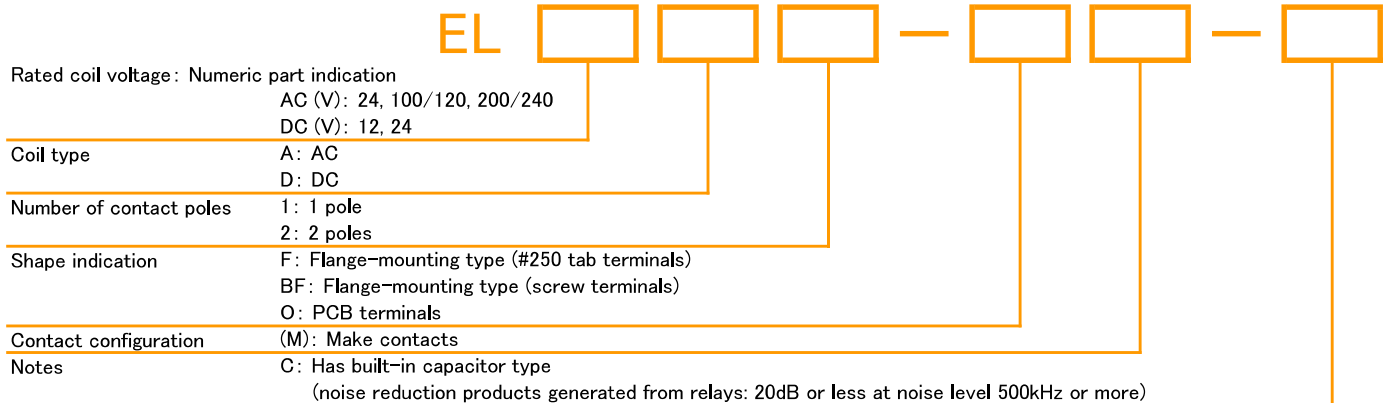
<https://www.j-dec.co.jp>

EL series

■ Features

- It has been designed for controlling of high capacity use.
1a contact 30A, 2a contact 25A.
- Quick-connect, screw, and PCB terminals available.
- AC/DC coil is prepared. No contact chattering for momentary voltage drops up to 50% of rated voltage.
- AC-activated coil is wide range specification of AC 100V to 120V or AC 200V to 240V.
- Primary-secondary insulation distance is 8mm and the contact spacing is 3mm or more, it is a safety design with excellent insulation performance
"UL 94V-0" molding material is adopted for all insulating materials.

■ Model numbering system



■ Safety standards

	Contact rating	
	EL1U	EL2U
UL/cUL	30A 277V AC (General use)	25A 277V AC (General use)
TUV	30A (cos φ=1, cos φ=0.4) 250V AC	25A (cos φ=1, cos φ=0.4) 250V AC 20A (cos φ=1) 480V AC
VDE	30A (cos φ=1, cos φ=0.4) 250V AC	25A (cos φ=1, cos φ=0.4) 250V AC
CQC	30A 277V AC	25A 277V AC
Electrical Appliances and Materials Safety Act	Conformable	

■ Coil ratings

AC/DC	Item Voltage	Rated current (mA)	Coil resistance (Ω)	Operate voltage (V)	Release voltage (V)	Maximum voltage (V)	Power consumption
		(AC: 50Hz/60Hz)		Ratio to rated voltage			
AC	24	71.0		80% max.	15% min.	110%	1.7VA to 2.5VA
	100/120	17.0 to 20.4					
	200/240	8.5 to 10.2					
DC	12	160	75	80% max.	10% min.	110%	1.9W
	24	79	303				

- Notes: 1. Rated current and coil resistance are values at coil temperature of 20°C, with tolerance of +15%/–20% for AC rated current. Tolerance is ±10% for DC coil resistance.
- 2. Maximum voltage is the maximum value of the allowable voltage fluctuation range of the relay coil operating power supply with the ambient temperature at 20°C.
- 3. In the rated voltage of AC, “/” (for example, 100/120) is a range rating and can be used in this range of voltage. The current values in the table are shown as typical values at 100V and 200V.

EL series

■ Ratings • Performance

Specifications	Item		Performance	
			EL1U	EL2U
Contact specification	Contact configuration		1a	2a
	Contact resistance		50mΩ max. (at DC6V 1A)	
	Contact material		Ag alloy	
Ratings	Rated load (resistive load)		AC250V 30A	AC250V 25A
	Max. switching capacity (resistive load)		7500VA	6250VA
	Max. switching voltage		AC277V/DC30V	
	Max. switching current		30A	25A
Electrical capability	Insulation resistance		100MΩ min. (at DC500V)	
	Dielectric strength	Between coil and contacts	AC4000V 1 min	
		Between open contacts	AC2000V 1 min	
		Between opposite polarity contacts	—	AC2000V 1 min
	Impulse withstand voltage (between coil and contacts)		10 000V min. (1.2 × 50 μs)	
	Operate time (at rated voltage on, at 20°C)		30ms max. (excluding contact bounce time)	
Release time (at rated voltage off, at 20°C)		30ms max. (excluding contact bounce time)		
Mechanical capability	Vibration resistance	Malfunction	10 to 55 to 10Hz (double amplitude 1.5mm)	
		Destruction	10 to 55 to 10Hz (double amplitude 1.5mm)	
	Shock resistance	Malfunction	100m/s ²	
		Destruction	1000m/s ²	
Life	Mechanical endurance (at 180 times/min)		1 000 000 times min.	
	Electrical endurance (at 20 times/min)	Resistive load Inductive load (cos φ = 0.4)	100 000 times min. (AC250V 30A)	100 000 times min. (AC250V 25A)
Conditions for operation	Ambient temperature		-25°C to +60°C (no freezing and condensing at low temperature)	
	Ambient humidity		5% to 85%RH	
Mass			Standard type: 90g to 93g	Standard type: 93g to 95g
			Screw terminal type: 128g to 133g	Screw terminal type: 133g to 135g

● Notes: The above is the initial value.

DEC is a professional manufacturer of relays

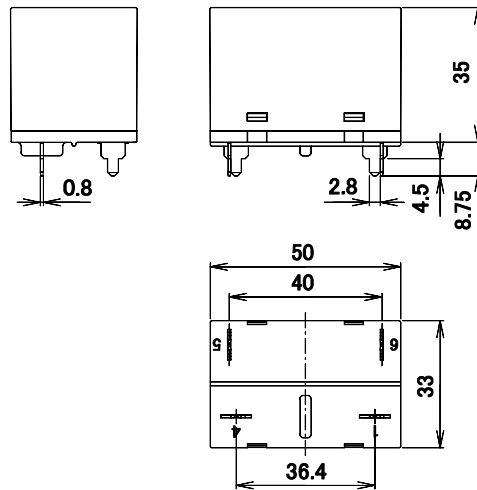
DEC Daiichi Electric Co., Ltd.

<https://www.j-dec.co.jp>

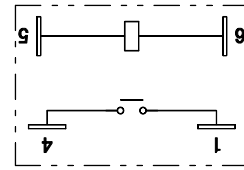
EL series

EL1U-O
(1 pole PCB terminal type)

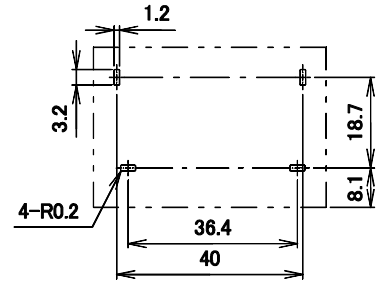
■ Dimensions



■ Schematics



■ PCB mounting holes (tolerances ± 0.1)

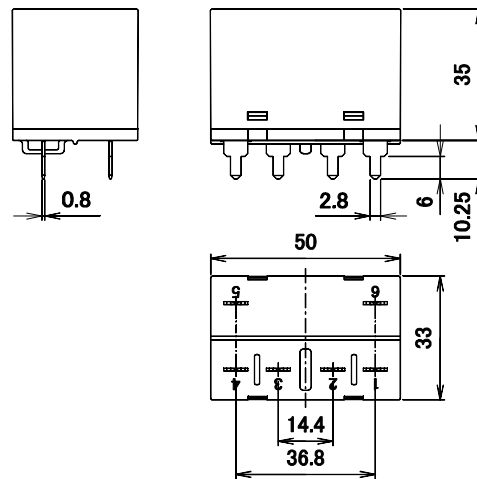


Unit: mm

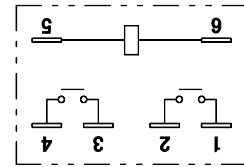
TOLERANCES	
< 5mm:	± 0.2
≥ 5 mm:	± 0.3

EL2U-O
(2 poles PCB terminal type)

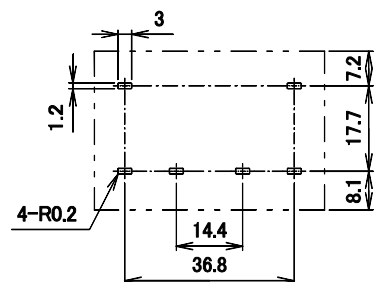
■ Dimensions



■ Schematics



■ PCB mounting holes (tolerances ± 0.1)

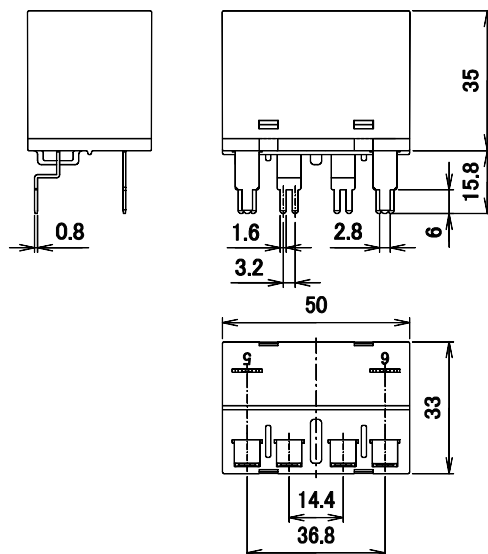


Unit: mm

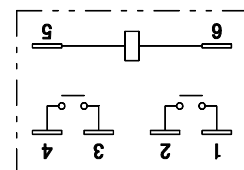
TOLERANCES	
< 5mm:	± 0.2
≥ 5 mm:	± 0.3

EL2U-O
(2 poles PCB terminal, high capacity type)

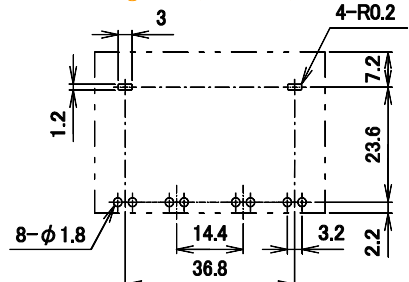
■ Dimensions



■ Schematics



■ PCB mounting holes (reference)



Unit: mm

TOLERANCES	
< 5mm:	± 0.2
≥ 5 mm:	± 0.3

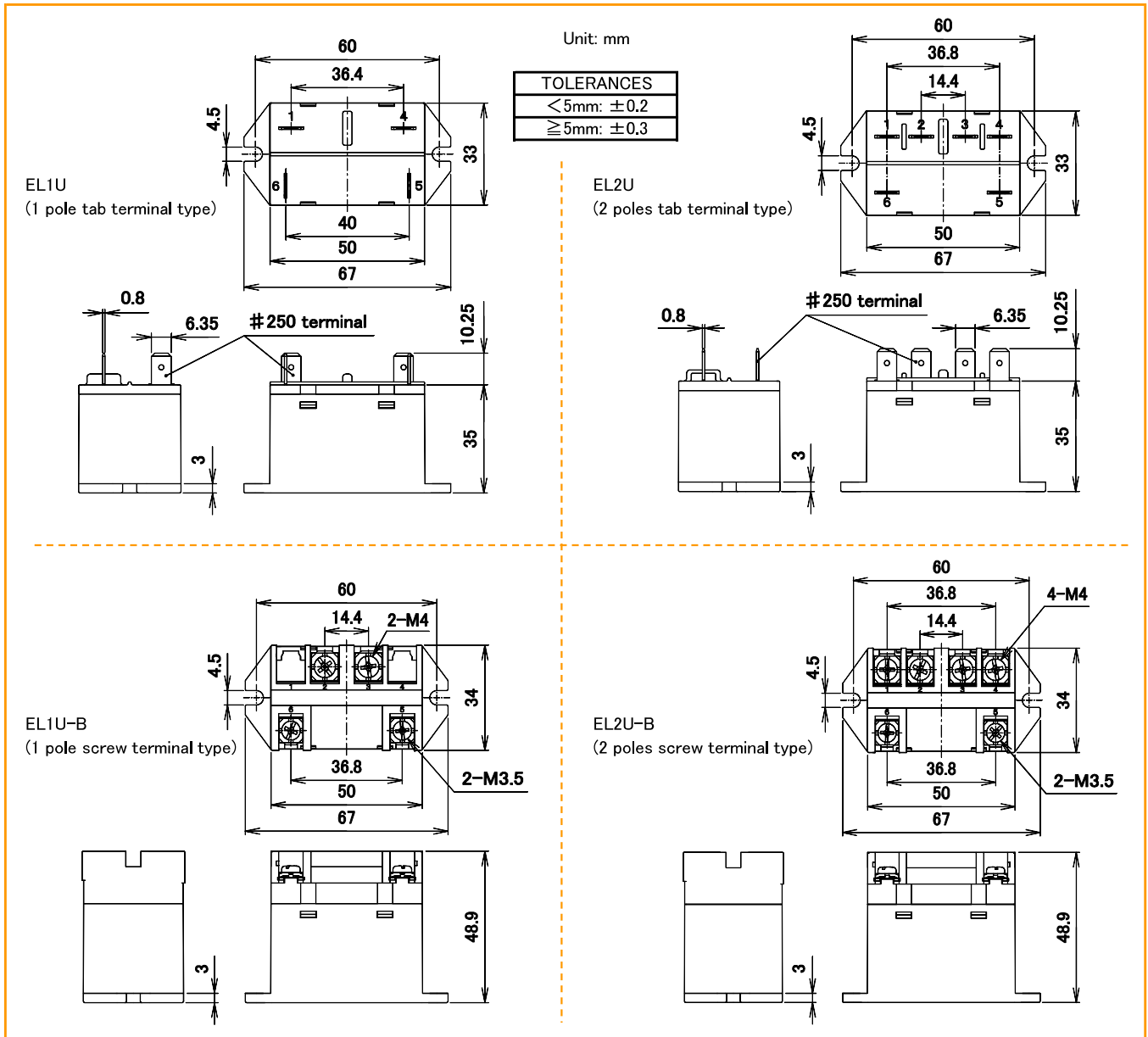
DEC is a professional manufacturer of relays

DEC Daiichi Electric Co., Ltd.

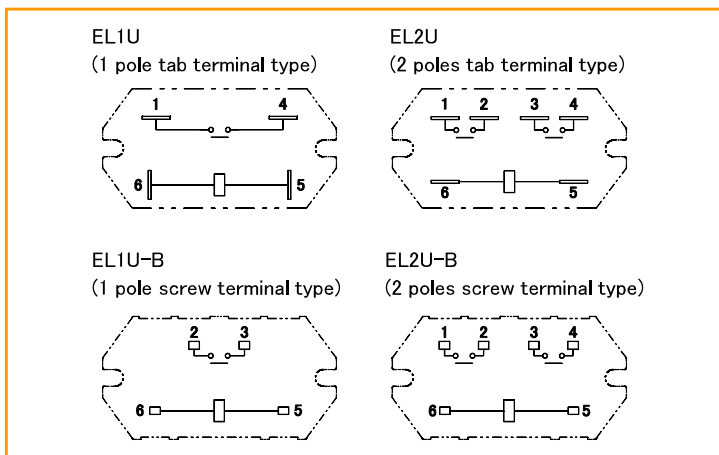
<https://www.j-dec.co.jp>

EL series

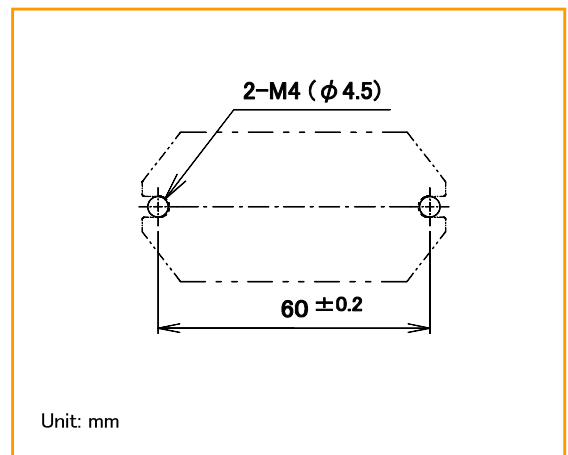
■ Dimensions



■ Schematics



■ Mounting holes (common for flange type)



DEC is a professional manufacturer of relays

DEC Daiichi Electric Co., Ltd.

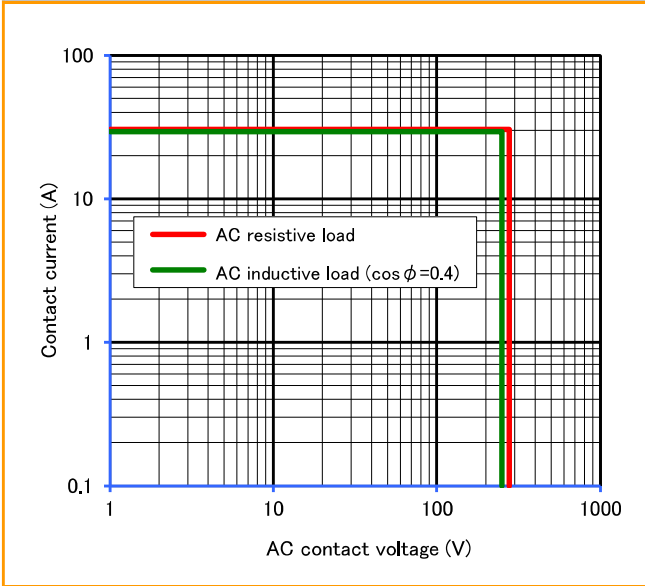
<https://www.j-dec.co.jp>

EL series

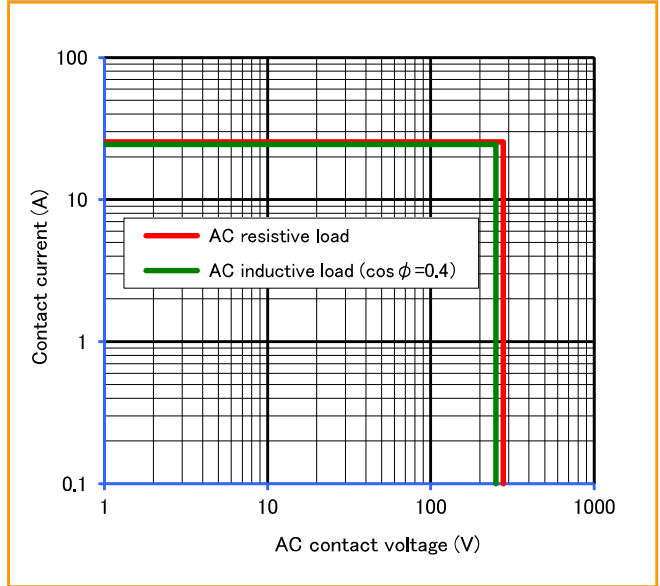
Reference data

Maximum switching capacity

EL1U/EL1U-B

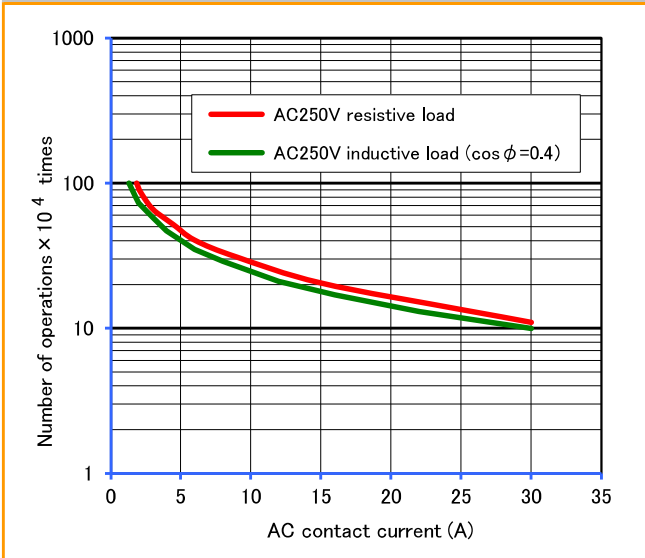


EL2U/EL2U-B

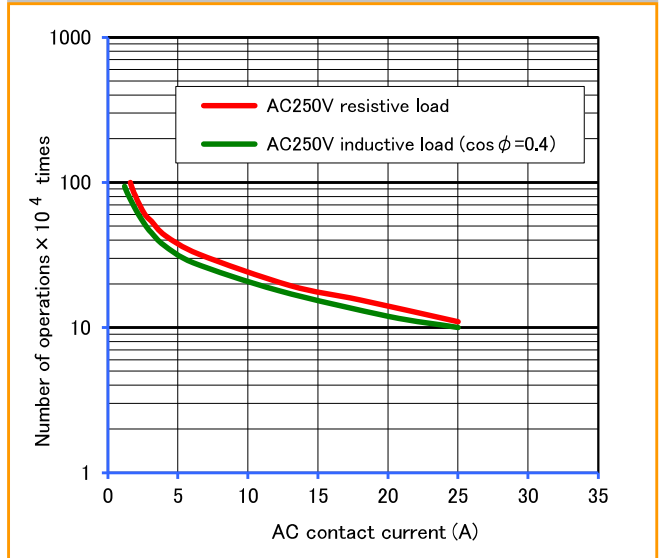


Durability curve

EL1U/EL1U-B



EL2U/EL2U-B



● Please understand that specifications may be changed without notice due to product improvement etc. ● Dimensions and specifications indicate only major points. Please contact our sales representatives for details.

DEC is a professional manufacturer of relays

DEC Daiichi Electric Co., Ltd.

Head office 618-2, Miharada, Akagi-machi, Shibukawa-shi, Gunma, 379-1126, Japan

Phone +81-279-56-3151

Facsimile +81-279-56-3154

U R L <https://www.j-dec.co.jp> E-Mail: sales@j-dec.co.jp

Agency